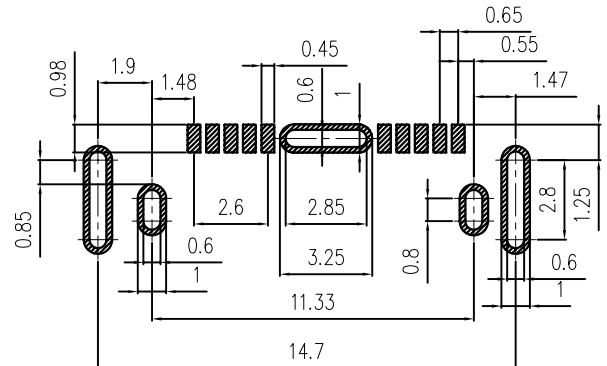
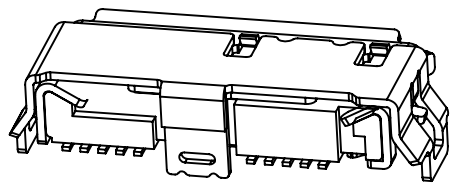
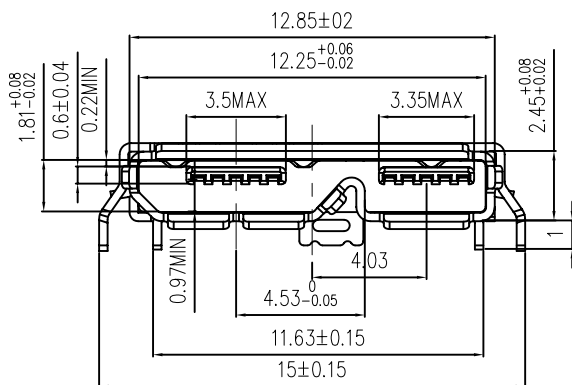


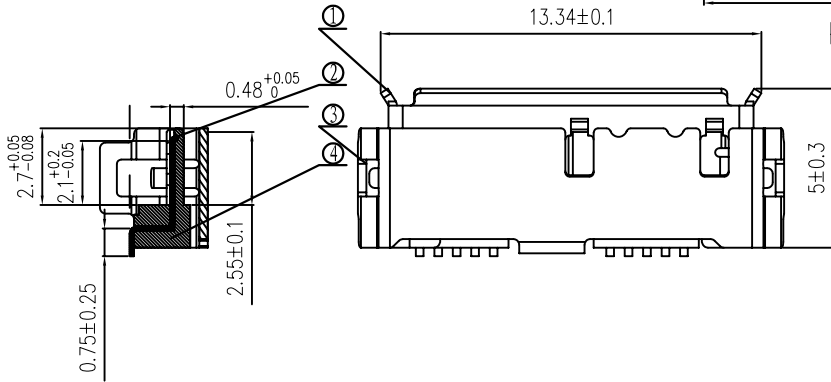
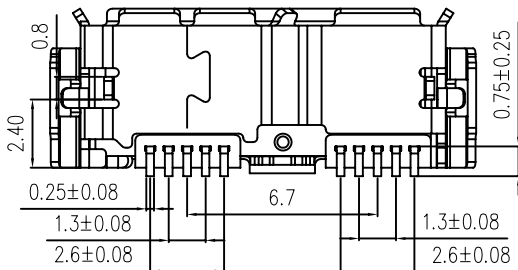
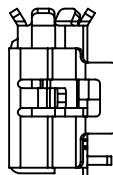
1 2 3 4 5 6

REVISIONS			
REV.	DESCRIPTION	DATE	REVISED BY

A

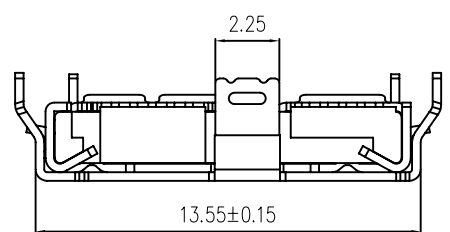


B



RECOMMEND PCB

C



4	HOUSING	LCP	1	UL94V-0
3	SHELL	STAINLESS T=0.3mm	1	
2	TERMINAL	BRASS T=0.15mm	10	OVEP-PIATING: Au Ni/Sn
1	SHELL	STAINLESS T=0.3mm	1	
ITEM	DESCRIPTION	MATERIAL	Q' TY	REMARKS

D



EBE TECHNOLOGY(HK) LIMITED

GENERAL TOLERANCE		Description	Micro USB3.0 BF SMT(SHELL DIP) WITH sheet iron		Third Angle Projection	
X.	±0.20	X°	±2°	Customer Name	Drawing No.	资巧云
X.X	±0.15	X.X°	±1°	Customer No.	Designed By	
X.XX	±0.13	X.XX°	±0.5°	Produce No.	Approved By	
				Date	Scale	1:1
				Units	<input checked="" type="checkbox"/> MM	REV
					<input type="checkbox"/> Inch	A/0

1 2 3 4 5 6